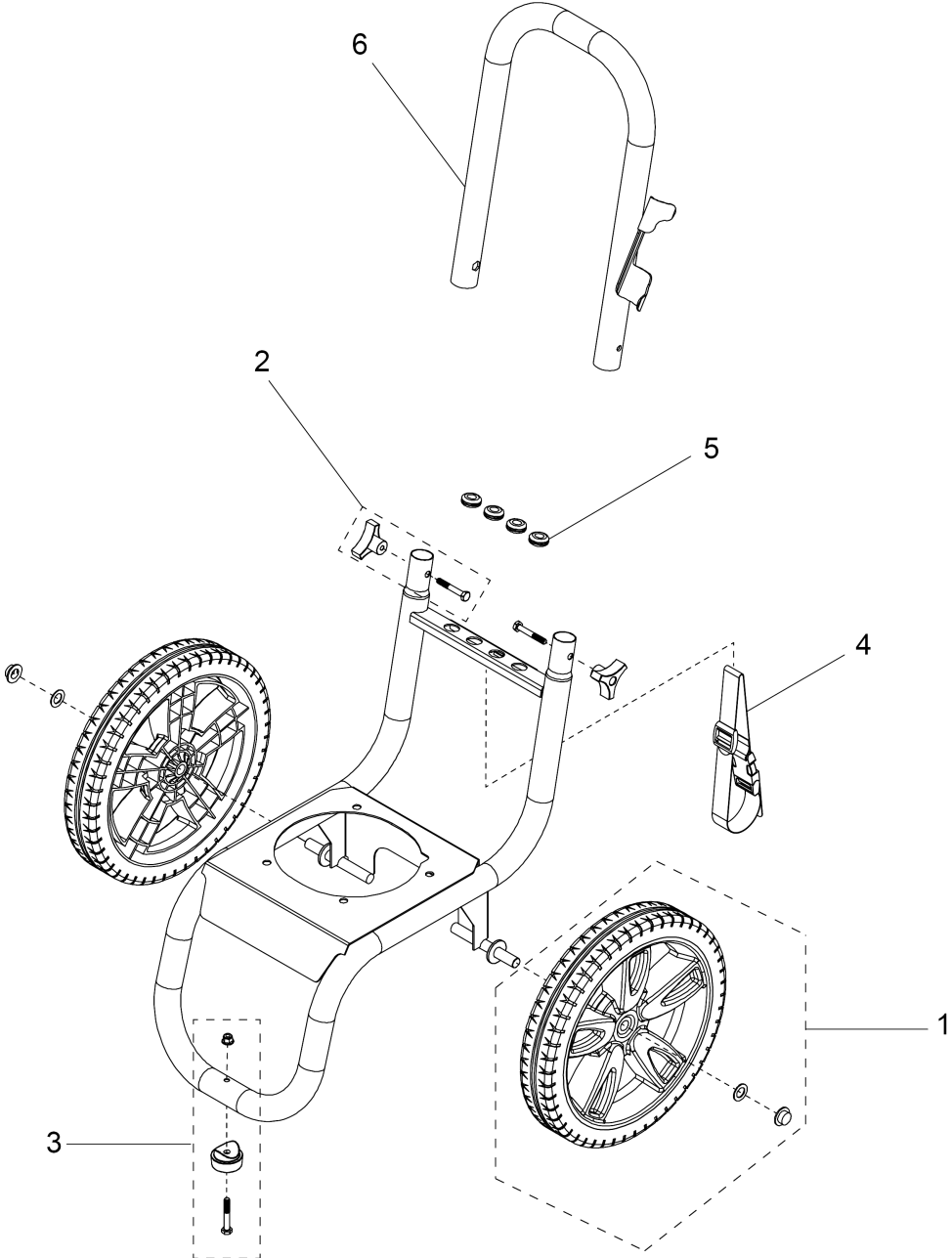


Table of contents

G 2900 E (1.107-414.0)	2
10 Frame	3
20 Accessories	5
30 Pump Valves	7
40 Pump	9

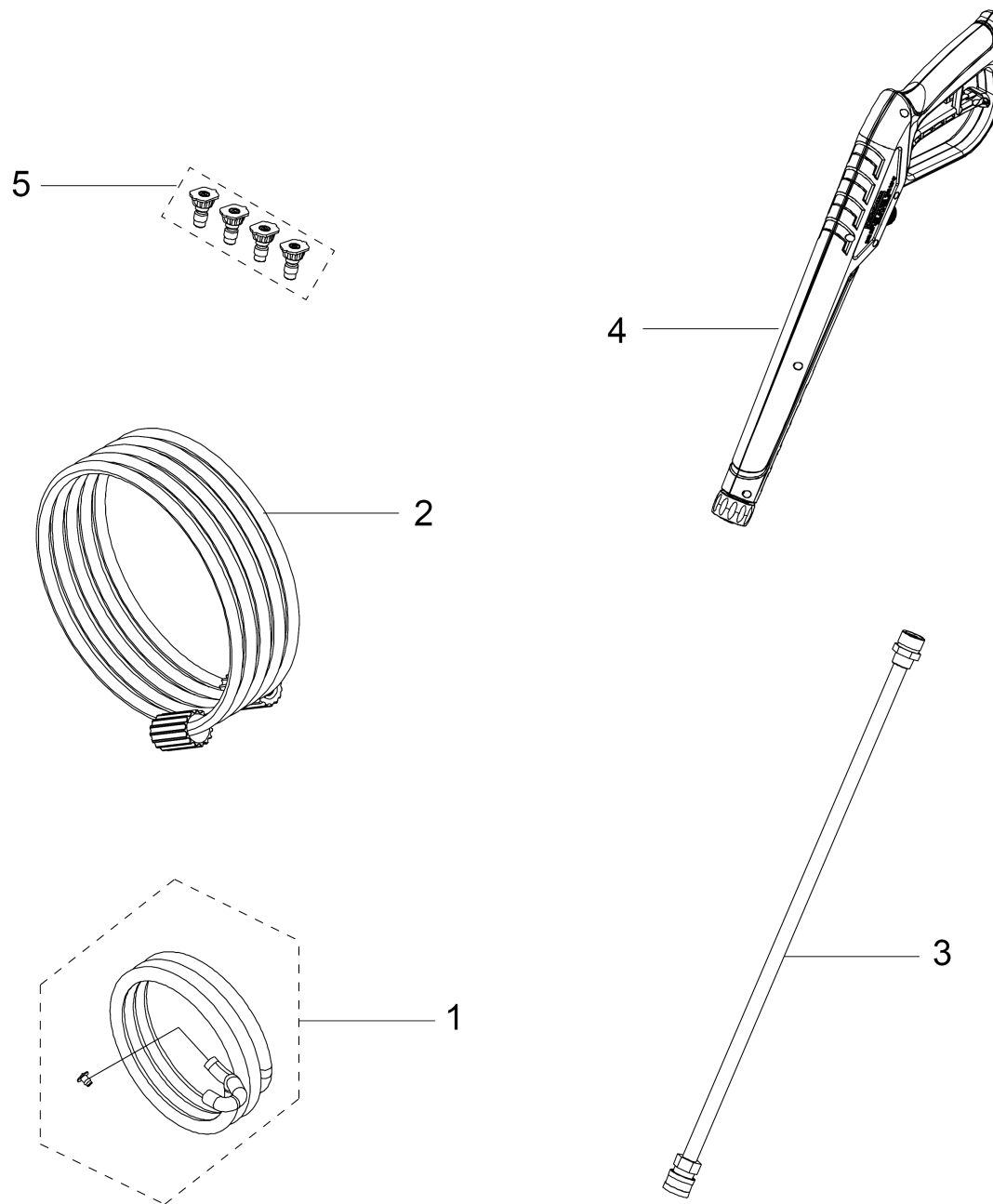
G 2900 E (1.107-414.0)

POS	Description	Quantity	Unit
10	Frame	1	PC
20	Accessories	1	PC
30	Pump Valves	1	PC
40	Pump	1	PC



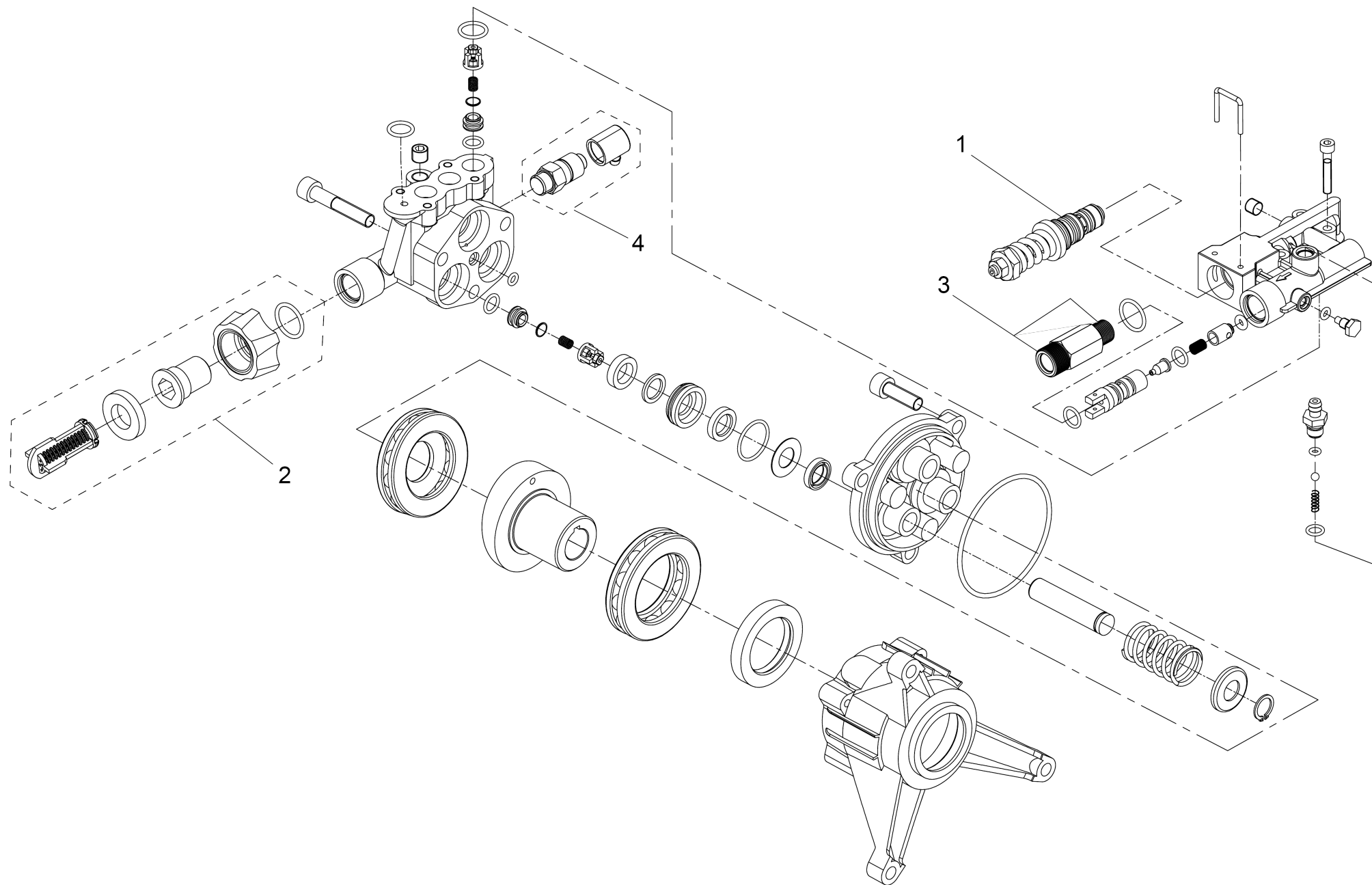
10 Frame

POS	Article no.	Description	Quantity	Unit	Remark
1	9.803-864.0	SPARE WHEEL 12" CAP KIT	1	PC	Kit includes 2 wheels
2	9.803-869.0	SPARE KNOB 3PT STAR	1	PC	
3	9.803-865.0	SPARE RUBBER 1/4" FRAME KIT	1	PC	
4	8.759-079.0	Strap adjustable	1	PC	
5	9.802-064.0	GROMMET, RUBBER, NOZZLE HOLDER	1	PC	
6	8.930-768.0	Spare part handle E	1	PC	



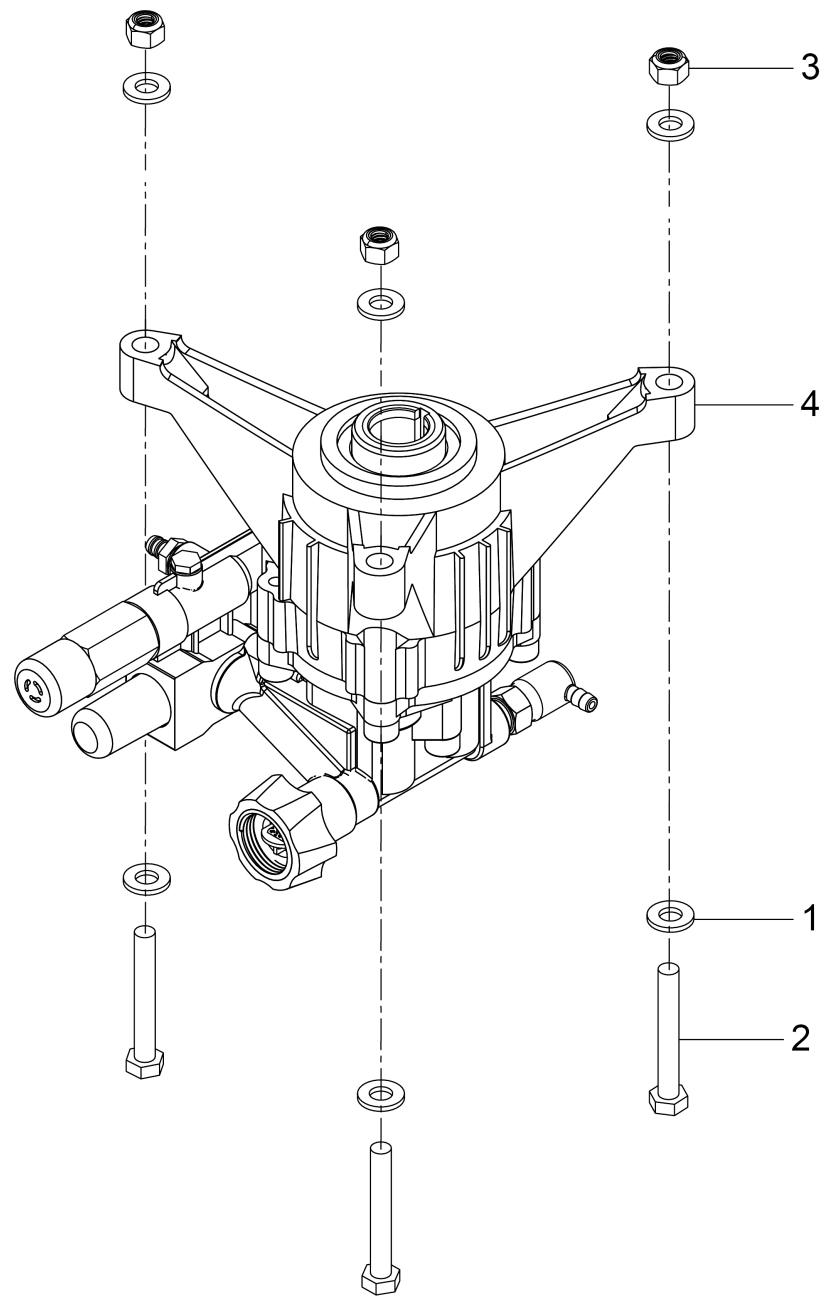
20 Accessories

POS	Article no.	Description	Quantity	Unit	Remark
1	8.929-633.0	Hose Detergent Spare Part	1	PC	1 meter, includes filter
2	8.759-098.0	High pressure hose DN6 25MPa 25ft	1	PC	
3	9.112-533.0	Lance-AL Quick Connect-Male 3000 psi	1	PC	
4	8.641-024.0	TRIGGER GUN, 3600PSI, 8GPM	1	PC	
5	8.758-924.0	Nozzle kit Combined 30/035	1	PC	4 nozzle kit, for G 2900 E only



30 Pump Valves

POS	Article no.	Description	Quantity	Unit
1	8.758-901.0	Unloader valve	1	PC
2	8.758-902.0	Garden hose inlet port	1	PC
3	8.758-903.0	High pressure outlet	1	PC
4	9.184-013.0	THERMAL RELIEF VALVE	1	PC



40 Pump

POS	Article no.	Description	Quantity	Unit
1	8.718-980.0	WASHER, 5/16" FLAT, SAE (780452)	6	PC
2	8.751-855.0	BOLT 5/16-18 X 2 1/4 ZINC PLATED	3	PC
3	9.802-776.0	NUT, 5/16-18, ESNA	3	PC